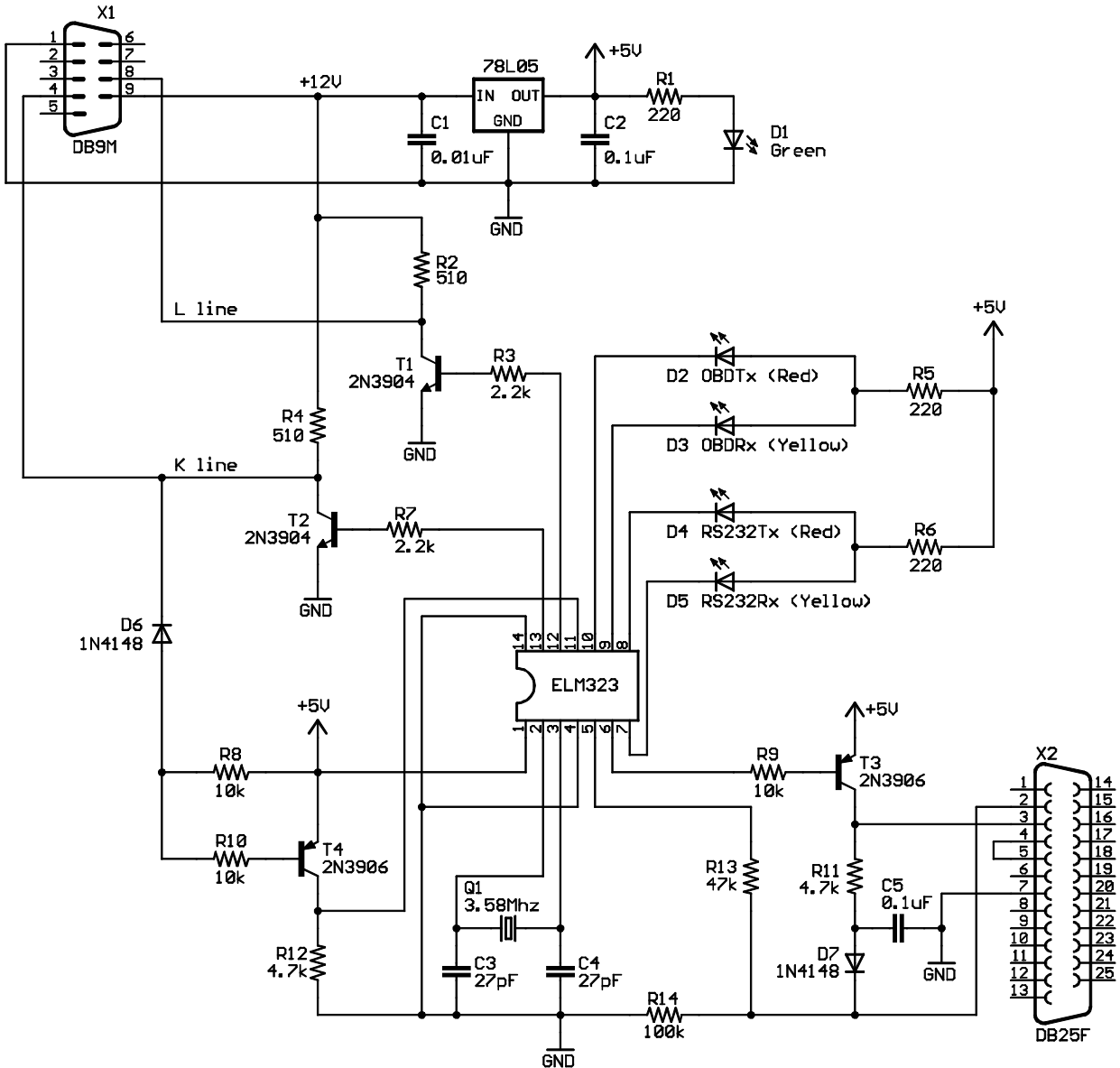


# OBD-II ISO-9141 to RS-232 interface circuit schematic

Copyright 2003 ScanTool.net, <http://www.scantool.net>



## ElmScan ISO Board

TITLE: elm\_iso\_11

Document Number:

REV:

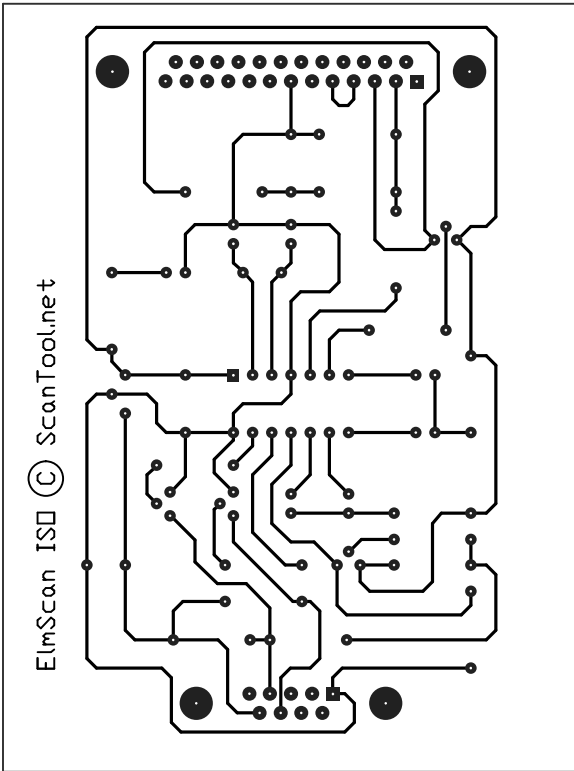
1.1

Date: 2/01/2003 01:42:32a

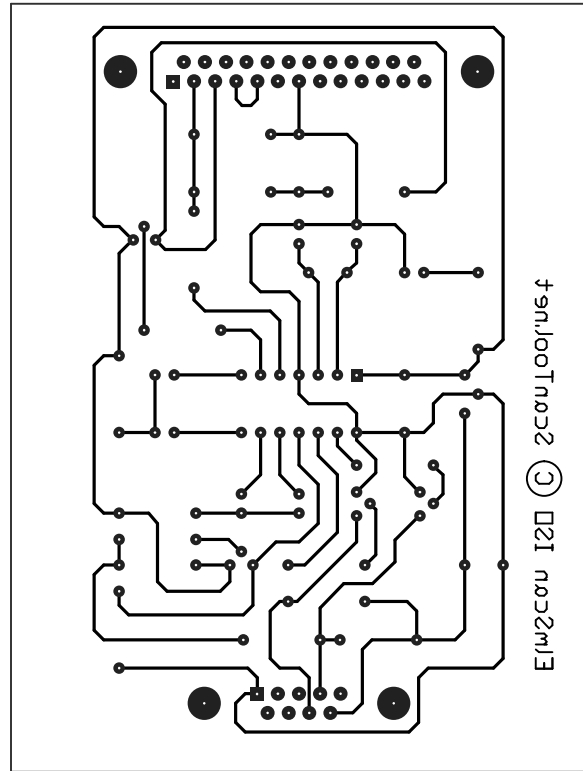
Sheet: 1/1

# ElmScan ISO

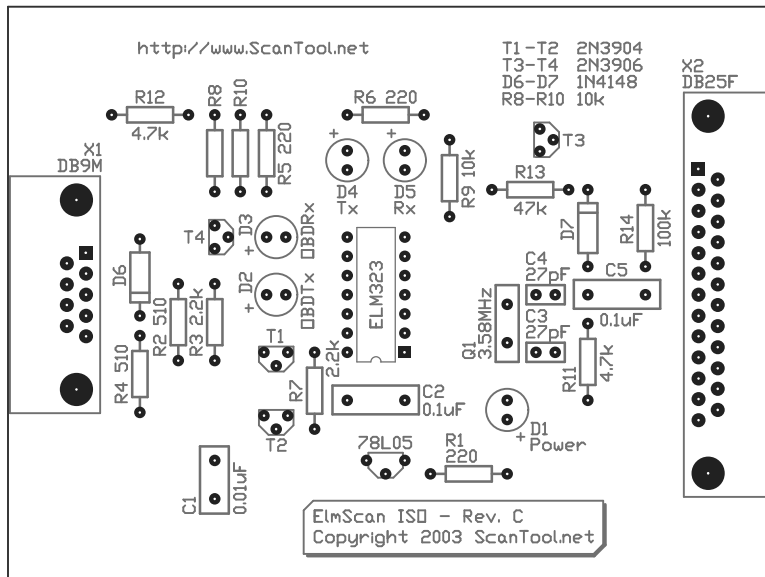
OBD-II ISO 9141-2 to RS-232 interface, PCB layout



non reflected



reflected



component view